

Outdoor Chair

Lumber



Georgia-Pacific



Materials Checklist

- Two 1" x 3" x 8' lumber
- Two 2" x 3" x 8' lumber
- One 2" x 3" x 6' lumber
- One 3/4" x 4' x 4' plywood panel
- Water-resistant glue
- Galvanized finishing nails
- Wood filler
- Sandpaper
- Oil, paint or stain finish
- Safety goggles

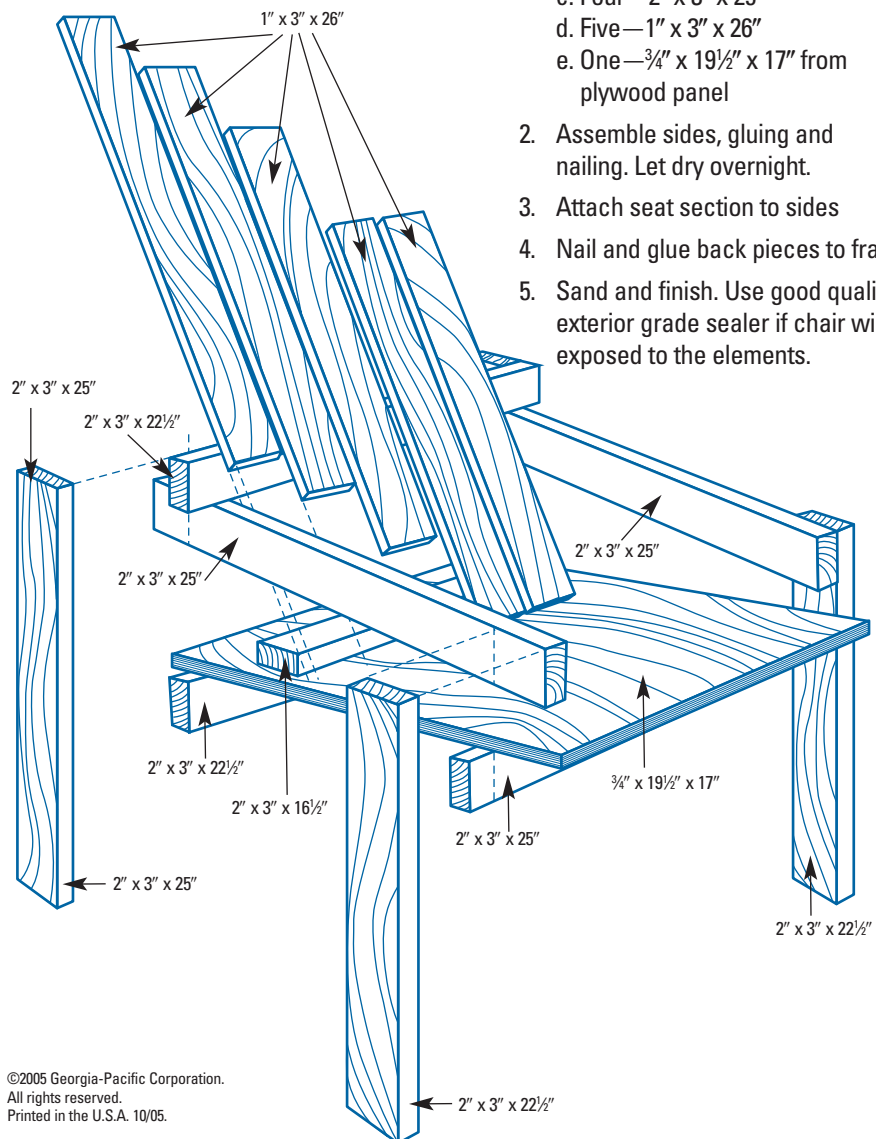
Instructions

1. Cut materials into the following sizes:
 - a. One—2" x 3" x 16 1/2"
 - b. Five—2" x 3" x 22 1/2"
 - c. Four—2" x 3" x 25"
 - d. Five—1" x 3" x 26"
 - e. One—3/4" x 19 1/2" x 17" from plywood panel
2. Assemble sides, gluing and nailing. Let dry overnight.
3. Attach seat section to sides
4. Nail and glue back pieces to frame.
5. Sand and finish. Use good quality exterior grade sealer if chair will be exposed to the elements.

Outdoor Chair

Here's a durable, sturdy outdoor chair that's great for lounging on a summer afternoon. Chances are you'll want to build more than one once you see how easy it is. For extra comfort, add a seat cushion.

Georgia-Pacific Corporation makes no warranties expressed or implied, regarding this plan and specifically disclaims the warranties of merchantability and fitness for a particular purpose. Check with an architect or a building expert to make sure that this plan is appropriate to your situation and meets local building codes.



Georgia-Pacific Corporation
 Building Products
 55 Park Place, N.E.
 Atlanta, GA 30303
1-800 BUILD GP
www.gp.com/build